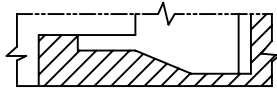
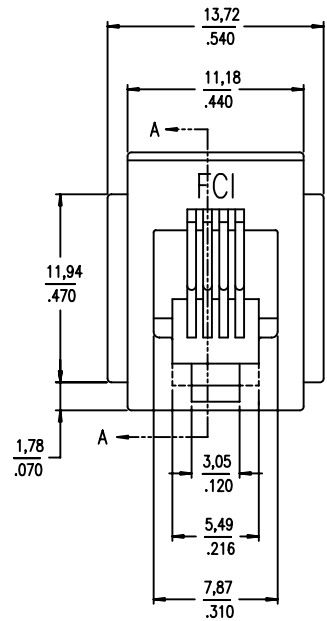


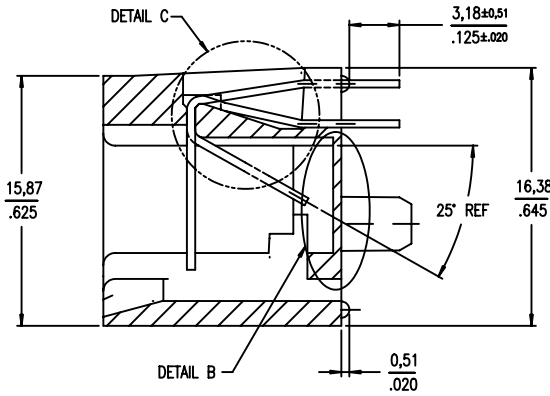
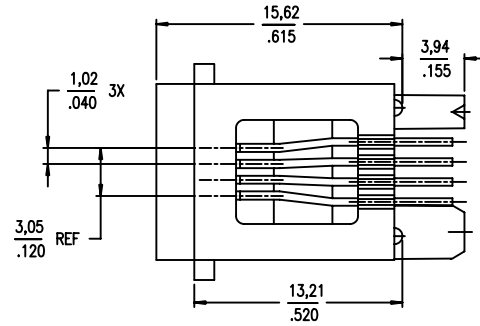
Tous droits strictement réservés. Reproduction ou communication a des tiers interdite sous quelque forme que ce soit sans autorisation écrite du propriétaire. Propriété de © FCI ELECTRONICS. Droits de reproduction FCI ELECTRONICS INC.

All rights strictly reserved. Reproduction or issue to third parties in any form whatever is not permitted without written authority from the proprietor. Copyright © FCI ELECTRONICS INC.

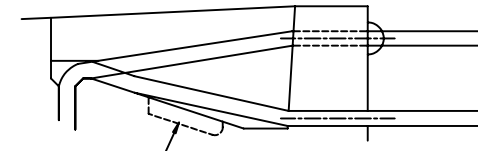
All rights strictly reserved. Reproduction or issue to third parties in any form whatever is not permitted without written authority from the proprietor. Copyright © FCI ELECTRONICS INC.



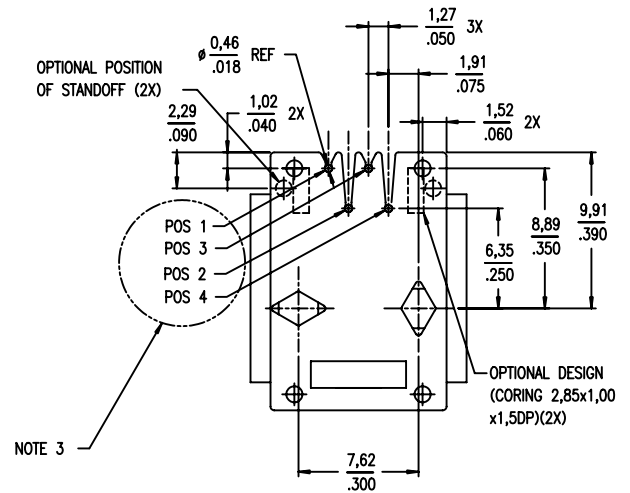
DETAIL B -90° ROTATED  
(OPTIONAL DESIGN  
BERG TAIWAN ONLY)



SECTION A-A



DETAIL C



- POS 1
- POS 3
- POS 2
- POS 4

NOTE 3

OPTIONAL DESIGN  
(CORING 2,85x1,00  
x1,5DP)(2X)

mat'l. code		tolerances unless otherwise specified		CUSTOMER COPY	FCI www.fciconnect.com		
ltr	ecn no	dr	date	.X ±.30	projection	title	
L	V70900	08 M	06/04/97	.XX ±.13		4 POS VERTICAL P.C.B. MOD JACK ASSY	
M	T70458	CL	10/21/97	.XXX ±.05			
N	S90142	JSR	10/4/99	angles	0° ±2°	product family	
P	N05-002	YS	01/06/05	dr	CATHY LIN	10/21/97	MOD JACK
R	N08-0170	SH	10/10/08	engr	TONY CHIEN	10/21/97	code
				chr	TONY CHIEN	10/21/97	size
				appd	JENN TSAO	10/21/97	dwg no
sheet	revision	R	R	scale	3:1	A3	69253
index	sheet	1	2				1 of 2

cage code  
22526

Tous droits strictement réservés. Reproduction ou communication à des tiers interdite sous quelque forme que ce soit sans autorisation écrite du propriétaire.  
Droits de reproduction FCI ELECTRONICS INC.  
Propriété de © FCI ELECTRONICS.



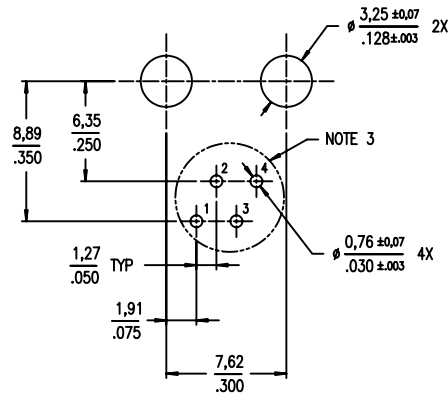
All rights strictly reserved. Reproduction or issue to third parties in any form whatever is not permitted without written authority from the proprietor.  
Copyright FCI ELECTRONICS INC.  
Property of © FCI ELECTRONICS

PRODUCT NO.	POSITIONS LOADED	CONTACT PLATING	HOUSING COLOR	NOTES
69253-001 -001LF -011LF	ALL	30u" GXT	BLACK	-
-002 -002LF -012LF	ALL	30u" /0,76u Au	BLACK	-
-003 -003LF -013LF	ALL	30u" GXT	BLACK	NOTE 1
-004 -004LF -014LF	ALL	50u" /1,27u Au	BLACK	-
-005 -005LF -015LF	ALL	30u" GXT	GREY	-
-006 -006LF -016LF	ALL	15u" GXT	BLACK	-

LEAD FREE PRODUCT NO.

0: MEETS WAVE SOLDER PROCESS PRODUCT NO.

1: MEETS PIP PROCESS PRODUCT NO.



BOARD LAYOUT  
VIEWED FROM TOP

NOTE :

- ① SPECIAL PACKAGING.
- 2 GXT IS 0,76um / 30u" OR 0,28um / 15u" MIN GXT WITH Au FLASH OVER 1,27um / 50u" MIN Ni.
- ③ THIS PIN NUMBERING IS OPPOSITE TO FCC, PART 68, SUBPART F REQUIREMENTS.
- 4 THIS PRODUCT MEETS EUROPEAN UNION DIRECTIVES AND OTHER COUNTRY REGULATIONS AS DESCRIBED IN GS-22-008.
- 5 THE HOUSING WILL WITHSTAND EXPOSURE TO 260°C PEAK TEMPERATURE FOR 10 SECONDS IN A WAVE SOLDER APPLICATION WITH A 1.6mm MINIMUM THICK CIRCUIT BOARD.
- 6 IF LF P/N PACKAGING MEETS GS-14-920 SPECIFICATION.

mat'l. code		tolerances unless otherwise specified		CUSTOMER COPY		FCI www.fciconnect.com	
ltr	ecn no	dr	date	linear	projection	title	
R				.X ±.30	⊕	4 POS VERTICAL	
				.XX ±.13		P.C.B. MOD JACK ASSY	
				.XXX ±.05		product family MOD JACK	
				angles	0° ±2'	code	
		dr	CATHY LIN	10/21/97	mm	size	
		engr	TONY CHIEN	10/21/97	←	dwg no	
		chr	TONY CHIEN	10/21/97	scale	sheet	
		appd	JENN TSAO	10/21/97	3:1	2 of 2	
sheet	revision					cage code	
index	sheet					22526	